

BRAMAH FITTING INSTRUCTIONS

For NS27, NS17 and NS17A mortise deadlocks into metal hinged doors

Tools required

Power drill with a set of HSS drill bits
Power jigsaw with metal cutting blades
Files 25mm (1") and 13mm (1/2"), medium and fine
Pencil
Rule
Pozidrive screwdrivers - medium and small

Lock

1 If only a lock is being fitted, position equal distances from top and bottom of the door, taking care not to position the lock where its installation would damage the door construction.

Hold lock body against door edge and mark height of the forend as illustrated.

2 Between the two lines mark a central vertical line.

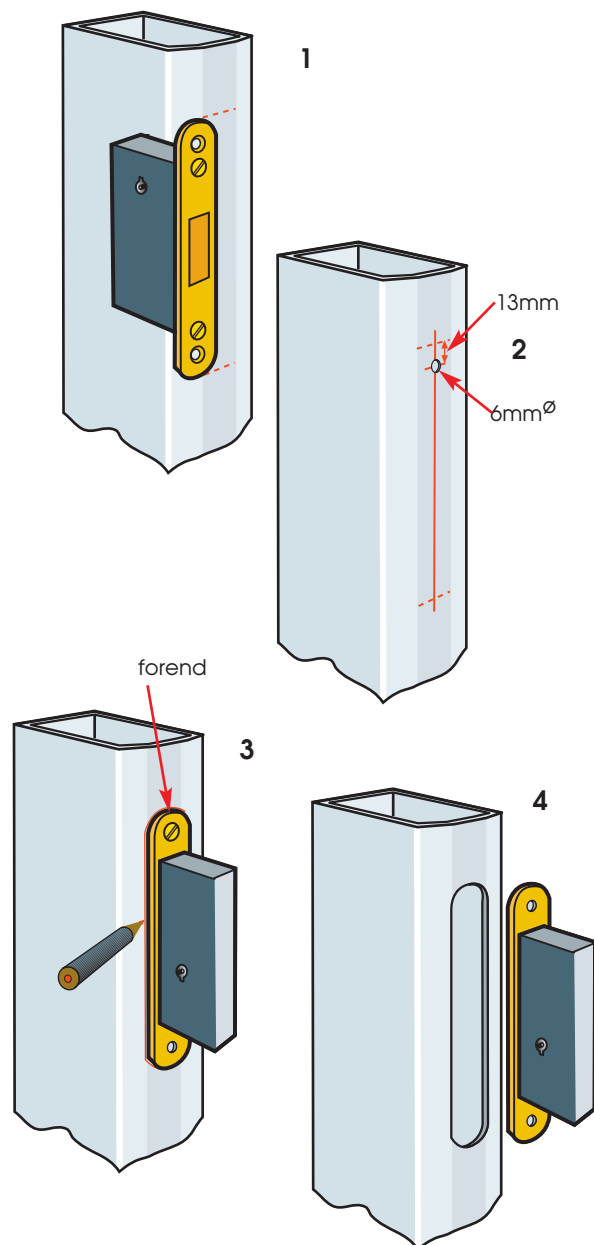
On the vertical line, measure 13mm from the top horizontal line to mark the centre line of the top fixing hole.

On this centre, drill a hole in the door frame to match the 6mmØ hole in the forend.

3 With the bolt retracted, locate the the forend in position using the supplied 6mmØ fixing bolt. Check that the forend is vertical and top of the forend is in line with the top horizontal line.

Draw round the forend with a sharp pencil.

4 Use drills, jigsaw and files to create an aperture that is a snug fit around the forend.



BRAMAH FITTING INSTRUCTIONS

5 Screw the fixing plates to the forend as illustrated such that the fixing plates are flush with the long edge of the forend.

Insert the forend of the lock into the aperture and mark the position of the centre of the remaining threaded holes in the fixing plates.

6 Remove the lock and the fixing plates. Drill two 6mm (1/4") holes on the marked centres, counter sink and then fit the fixing plates to the inside of the door section in a vertical position.

Fit the lock by screwing to the fixing plates, if the door section is thicker than the forend (3mm) then a washer or packing piece will be required between the lock and the fixing plates. If the door section is thinner than the forend then a washer or packing piece will be required between the door and the fixing plates.

With the lock in the door as shown in 6 and the bolt pointing left, measure from the bottom of the forend 48mm (1 7/8") then square across from the face of the forend measure 22mm (7/8") and mark the centre of the keyhole. For the reverse keyhole, measure from the bottom of the forend 121mm (4 3/4") and square across from the face of the forend measure 22mm (7/8") and mark the centre of the other keyhole.

Remove the lock.

Using the 14mm (9/16") bit, drill each keyhole separately. **DO NOT** drill right through, only drill into the section.

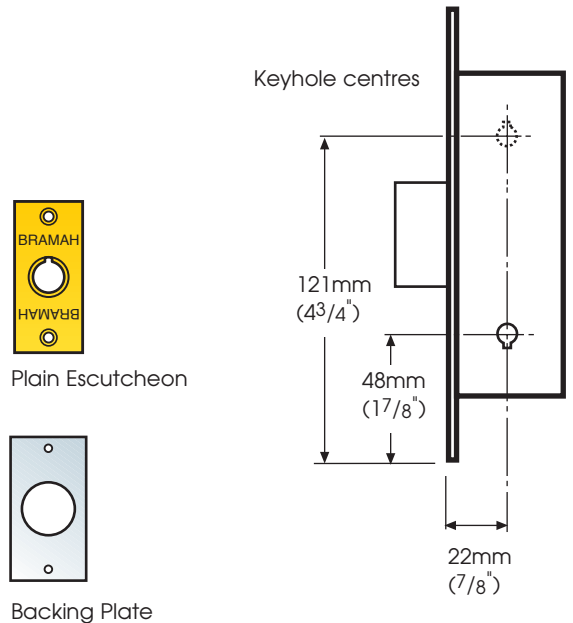
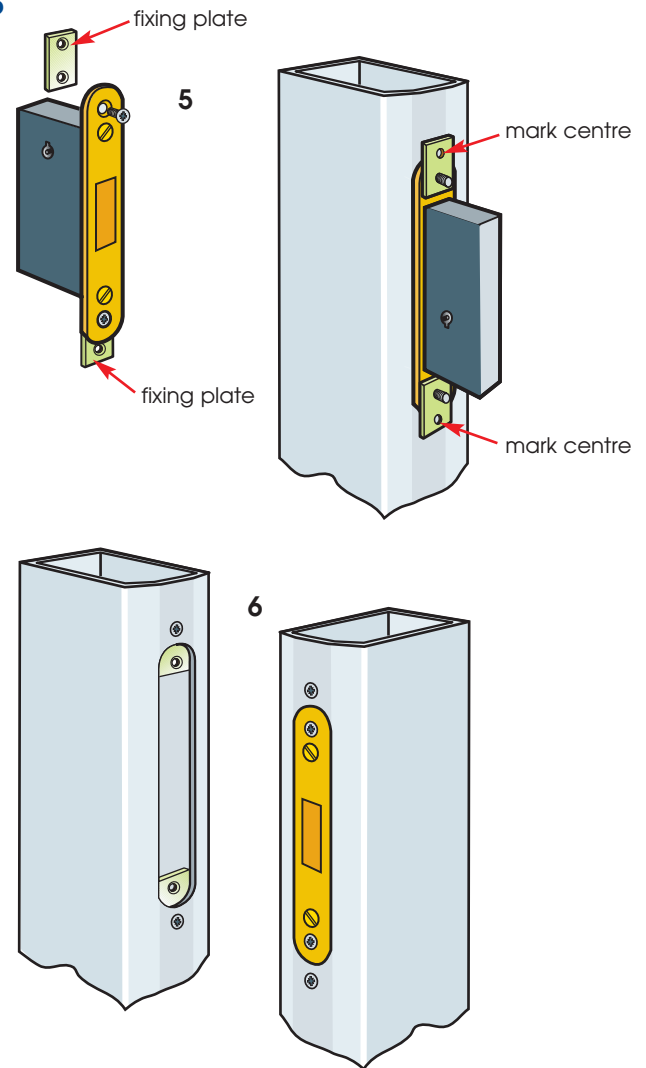
Replace the lock and screw to the fixing plates.

Plain Escutcheon

7 Insert the key through the plain escutcheon into the lock. The plain escutcheon is fitted to the inside of the door.

The keyway in the escutcheon must be in line with the keyway in the lock.

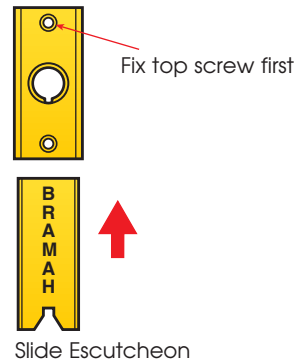
Mark the position of the fixing holes in the escutcheon with the key in the lock. Remove the lock. Drill 3mm (1/8") diameter holes on these centres (29mm) and use 13mm (1/2") N° 4 self tapping screws supplied to fix the escutcheon to the aluminium backing plate. **Ensure the key turns freely and can be withdrawn and re-inserted without contact or binding.**



BRAMAH FITTING INSTRUCTIONS

Slide Escutcheon

8 The slide escutcheon is fitted to the outside of the door, to keep the dust out. To fit the the slide escutcheon, follow the same procedure as the plain escutcheon. Fix the top screw first, 13mm (1/2") N° 4 self tapping, then assemble the slide, ensure that the name BRAMAH is the right way up. Insert and tighten the other screw. Check the key action.



Striking Plate (optional extra)

9 To fit the striking plate, close the door with the lock bolt fully out until it touches the door frame. Mark the position of the top of the forend on the door frame then continue the line onto the edge of the frame.

Measure the distance from the face of the door to the vertical centre of the bolt. Using this dimension (x) measured from the same face, draw a vertical line (a) of the other door edge.

Measure down the vertical line from the top of the forend mark a distance of 140mm. Use this as the centre to mark a 10mm diameter circle.

Align the 10mm hole in the striking plate over the pencilled 10mm circle and with a sharp pencil mark round the striking plate.

Use drills, jigsaw and files to create an aperture that is a snug fit around the striking plate.

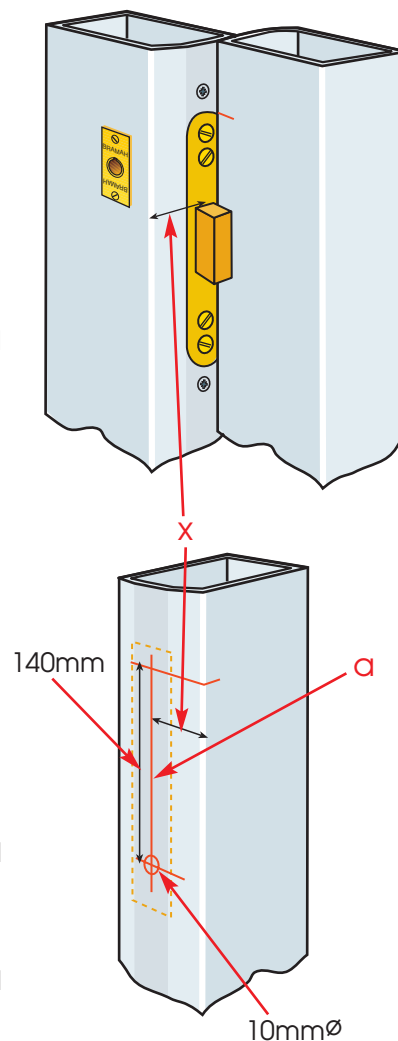
Screw the fixing plates to the striking plate such that the fixing plates are flush with the long edge of the striking plate in the same way they are fitted to the lock forend.

Insert the striking plate backwards into the aperture and mark the position of the centre of the remaining threaded holes in the fixing plates.

Remove the striking plate and the fixing plates. Drill two 6mm (1/4") holes on the marked centres, counter sink and then fit the fixing plates to the inside of the door section in a vertical position.

Fit the striking plate by screwing to the fixing plates, if the door section is thicker than the forend (3mm) then a washer or packing piece will be required between the lock and the fixing plates. If the door section is thinner than the forend then a washer or packing piece will be required between the door and the fixing plates.

Re-fix the striking plate and test the locking action.



BRAMAH FITTING INSTRUCTIONS

Keys

10 Bramah locks and keys are of extremely simple and trouble free design and since 1784 have been manufactured with great precision ensuring the ultimate in security.

Although today's keys are made from stainless steel, they will not operate if damaged or dirty.

Ensure that the slots are free from dirt by sliding a card across the bottom of each slot.

Replacement Lock Interiors

11 Combinations can be changed without disposal of the lock body.

Replacement and Additional Keys

12 All registration cards are maintained in 31 Oldbury Place, London W1U 5PT by Bramah. We turn all correctly authorised keys around within 48 hours. All additional key orders should be sent addressed to the key department. Enquiries as to procedure should be placed on +44 (0) 8700 BRAMAH (272624).

Contact Details

Enquires, catalogues, requests for quotes and all matters historical, not on this CD, can be directed to sales at any one of our three business units at **Bramah, 31 Oldbury Place, London W1U 5PT** or by the following contact numbers:

Lock Manufacturing - Bramah and Rola Lock sales

Alpha Dial Telephone: +44 (0) 8700 BRAMAH (272624)
Facsimile: 44 (0)20 7935 2779
Email: lock.sales@bramah.co.uk

11th July 2003